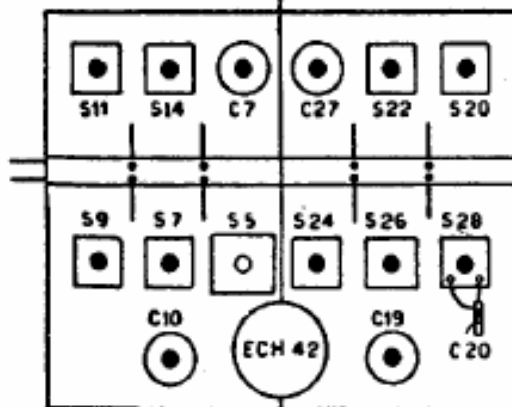
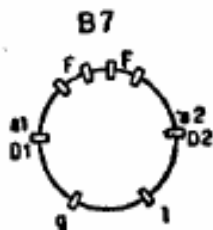


SEZIONE A F | SEZ. OSCILLATORE



VC1 = 270  
 VC2 = 245  
 I tot = 60 mA.  
 V.A. = 48  
 W. = 47  
 Vf. valv. = 6,3  
 Vf. radd. = 4



R 1	1200 Ω 1/2 W	4846810/1K2
R 2	0,82 MΩ 1/2 W	485010/820K
R 3	33 KΩ 1/2 W	4855010/33K
R 4	33 KΩ 1 W	4842710/33K
R 5	100 Ω 1/2 W	4842610/100E
R 6	33 Ω 1/2 W	4855110/33E
R 7	27000 KΩ 1 W	4842710/27K
R 8	0,1 MΩ 1 W	4842710/100K
R 9	0,47 MΩ 1/2 W	4855010/470K
R 10	27000 Ω 1/2 W	4855010/27K
R 11	47000 Ω 1/2 W	4855010/47K
R 13	27000 Ω 1/2 W	4855010/27K
R 14	0,65 MΩ	4950033
R 15	2 MΩ	
R 16	0,1 MΩ 1/2 W	4855010/100K
R 17	2 MΩ	
R 18	0,2 MΩ	4947352
R 19	1 MΩ 1/2 W	4855010/1M
R 20	0,18 MΩ 1/2 W	4855010/180K
R 21	1,5 MΩ 1/2 W	4855010/1M5
R 22	0,1 MΩ 1/4 W	4855110/100K
R 23	1,5 MΩ 1/2 W	4855010/1M5
R 24	0,1 MΩ 1/4 W	4855110/100K
R 25	0,56 MΩ 1/2 W	4855010/560K
R 26	1000 Ω 1/2 W	4855010/1K
R 29	0,33 MΩ 1/2 W	4855010/330K
R 42	0,82 MΩ 1/2 W	4855010/820K
R 43	3,3 MΩ 1/2 W	4855010/3M3
R 44	0,18 MΩ 1/2 W	4855010/180K
R 45	2,2 MΩ 1/2 W	4855010/2M2
R 46	1 MΩ 1/2 W	4855010/1M
R 47	1 MΩ 1/2 W	4855010/1M
R 50	470 Ω 1/2 W	4855010/470E
R 51	10 KΩ 1/2 W	4842610/10K
R 52	1,2 MΩ 1/2 W	4855010/1M2
R 53	680 KΩ 1/2 W	4855010/680K
C 1	50 μF 355 V.	
C 2	50 μF 355 V.	4831709/50+50
C 3	100 μF 12,5 V.	4831322/105
C 4	12 - 492 pF	
C 5	12 - 492 pF	5188
C 7	3-30 pF	2821236
C 9	3-30 pF	2821236
C 10	3-30 pF	2821236
C 12	220 pF	4860120/220E
C 13	47000 pF 125 V	4875020/47K
C 14	47000 pF 400 V	4875120/47K
C 15	115 pF	4860101/115E
C 16	150 pF	4860120/150E
C 17	56 pF	4860110/56E
C 18	115 pF	4842999/115E
C 19	3-30 pF	2821236
C 20	400 - 575 pF	4900555
C 23	115 pF	4842999/115E
C 24	115 pF	4842999/115E
C 27	3-30 pF	2821236
C 29	115 pF	4842999/115E
C 30	115 pF	4842999/115E
C 31	18 pF	4860110/18E
C 32	3300 pF 400 V	4875110/3K3
C 33	10000 pF 400 V	4875120/10K
C 33	15000 pF 400 V	4875120/15K
C 34	4,7 pF	4860198/4E7
C 35	8200 pF 125 V	4875010/8K2
C 36	8200 pF 125 V	4875010/8K2
C 37	220 pF	4860110/220E
C 38	47 pF	4860110/47E
C 39	0,1 μF 400 V	4875120/100K
C 40	10000 pF 400 V	4875120/10K
C 41	2200 pF 800 V	4875720/2K2
C 42	22000 pF 1000 V	4875820/22K
C 44	470 pF	4860199/470E
C 50	47000 pF 400 V	4875120/47K
C 64	68000 pF 125 V	4875020/68K
C 65	47000 pF 125 V	4875020/47K
C 67	33000 pF	4875120/33K

S 1	Sp. 1100	} Trasformatore alimentaz. PK 51055
S 2	Sp. 2x1620	
S 3	Sp. 23	
S 4	Sp. 2x18	
S 5	Bobina	} PK 56144
S 6	aereo O.C. I	
S 7	Bobina	} PK 56145
S 8	aereo O.C. II	
S 9	Bobina	} PK 56146
S 10	aereo O.C. III	
S 11	Bobina	} A 311080
S 12	aereo O.C. IV	
S 13	Bobina	} PK 56147
S 14	A.F.o.m.	
S 17	Bobina hnto M.F.	} PK 56154
S 19	Bobina oscill.	
S 20	O.C. I	} PK 56148
S 21	Bobina oscill.	
S 22	O.C. II	} PK 56149
S 23	Bobina oscill.	
S 24	O.C. III	} PK 56150
S 25	Bobina oscill.	
S 26	O.C. IV	} PK 56151
S 27	Bobina oscill.	
S 28	O.M.	} PK 56152
S 31		
S 32	Bobina	} A 3 122 32
S 33	1a MF	
S 34		
S 41		
S 42	Bobina	} A 3 122 32
S 43	2a MF	
S 44		
S 45	Sp. 3500	} Trasn. uscita PK 50555
S 46	Sp. 90	
S 48	Sp. 80	
S 49	Sp. 10	
S 50	Sp. 5	
S 51	Sp. 4	} 2857057
S 53	Bobina eqb. diop.	

Valvole	Va	Vg2/4	Vg1	VK	Ia (mA)	Ig2/4
ECH42	Triodo	95				
	Esodo	195	105	- 2 *	0	5
ZF41	B3	245	85	- 2 *	0	2
EBC41	B4	110		- 1,2 *	0	0,7
EL41	B5	250	245	- 6,5 +	0	36
AZ41	B6	3x290				
EM4	B7	Va1 = 70	245			
		Va2 = 150				

